

## Automotive Relay Series 汽车继电器系列 -T78F-S-DC12V-C

### FEATURES特点

- Up to 20A contact switching capability  
高达20A触点切换能力
- 1 Form A,1 Form B,1 Form C and 2 Form A configurations  
具有一组常开、一组常闭、一组转换和二组常开触点形式
- Small volume and anti-shock  
体积小, 防冲击
- Overall dimensions (15.5X12.1X13.8) mm.  
外形尺寸 (15.5X12.1X13.8) mm。



### CONTACT PARAMETERS触点参数

Contact Form触点形式	A-1组常开, B-1组常闭, C-1组转换	2A(桥式动合触点)
Rating Load (Resistive) 额定负载 (阻性)	20A 14VDC	2X6A 14VDC
Max. Switching Current最大切换电流	35A	2X10A
Max.Switching Voltage最大切换电压	16VDC	16VDC
Max.Switching Power最大切换功率	280W	2X160W

### CHARACTERISTICS性能参数

Contact Materials触点材料	Ag Alloy银合金	
Contact Resistance接触电阻	100mΩ Max	
Operate Time吸合时间	10ms.Max	
Release Time释放时间	5ms.Max	
Insulation Resistance绝缘电阻	100MΩ Min.(DC500V)	
Initial Dielectric Strength介质耐压	between open contacts: 触点与触点间:	AC550V,50/60Hz 1Min
	between contacts and coil: 触点与线圈间:	AC550V,50/60Hz 1Min
Vibration Resistance抗振动	Damage limits: 耐久:	10~55Hz Double Amplitude双振幅1.5mm
	Malfunction: 误动作:	10~55Hz Double Amplitude双振幅1.5mm
Shock Resistance抗冲击	Damage limits: 耐久:	10G Min
	Malfunction: 误动作:	100G Min
Life寿命	Mechanical Life (10800 per hour) 机械寿命 (每小时10800次)	$1 \times 10^7$
	Electrical Life (600 per hour) 电气寿命 (每小时600次)	$1 \times 10^5$
Ambient Temperature环境温度	-40°C ~ +125°C (No condensation) (不冷凝)	
Unit Weight单位重量	约Approx.6.0g	

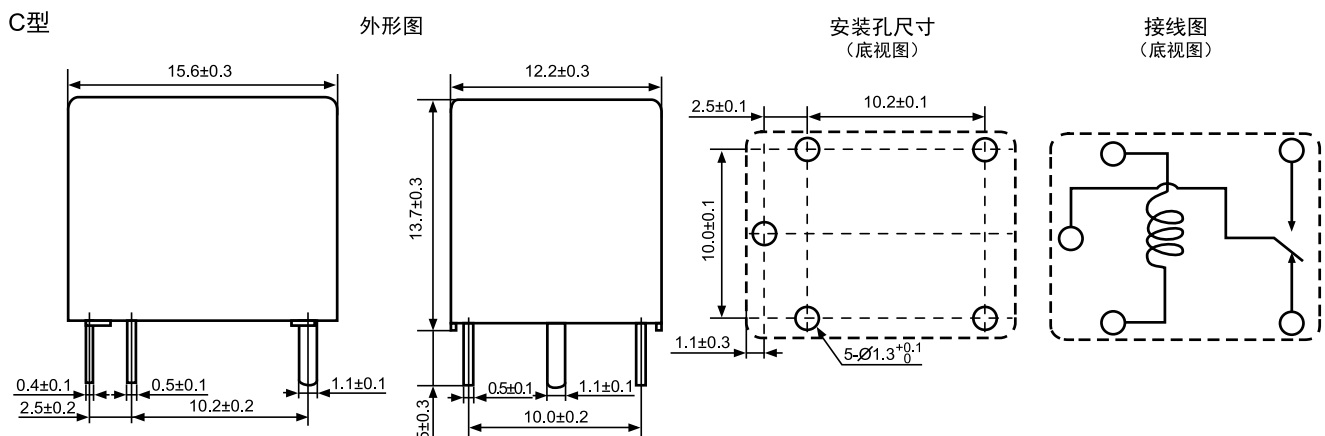
**COIL RATINGS (at23°C) 线圈参数 (在23°C)**

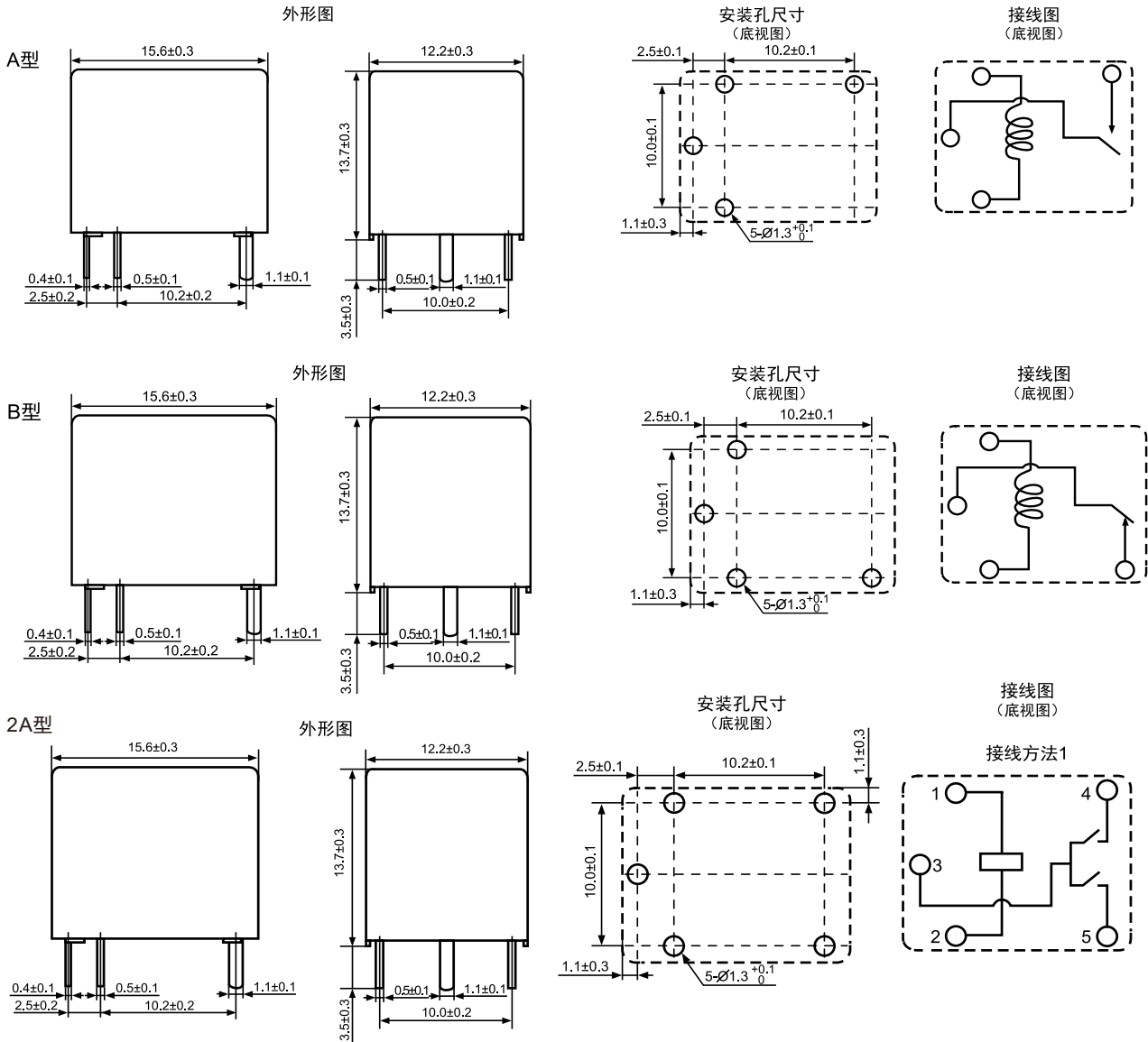
Coil Nominal Voltage 额定电压 (VDC)	Nominal Current 额定电流 ±10%(mA)	Coil Resistance 线圈电阻 ±10% (Ω)	Max. Continuous Voltage 最大连续外加电压	Pick-Up Voltage 吸合电压 (Max)	Drop-Out Voltage 释放电压 (Min)	Rated power 额定功率
6	60.00	100	Coil Nominal Voltage 110% 额定电压的 110%	Coil Nominal Voltage 70% 额定电压的 70%	Coil Nominal Voltage 10% 额定电压的 10%	0.36W
9	40.00	225				
12	30.00	400				
24	20.00	1600				
6	100.00	60	Coil Nominal Voltage 110% 额定电压的 110%	Coil Nominal Voltage 70% 额定电压的 70%	Coil Nominal Voltage 10% 额定电压的 10%	0.6W
9	66.67	135				
12	50.00	240				
24	25.00	960				
6	130.00	45	Coil Nominal Voltage 110% 额定电压的 110%	Coil Nominal Voltage 70% 额定电压的 70%	Coil Nominal Voltage 10% 额定电压的 10%	0.8W
9	90.00	102				
12	70.00	180				
24	30.00	720				

**ORDERING INFORMATION 订货标记**

T78F-S-DC12V-A-D-(XXX)	
1 2 3 4 5 6	
1. Model Number 基本型号 T78F 2. Encapsulation form: S-Plastic Sealed SH:Fluk proofed 封装形式: S-塑封型 SH-防焊剂型 3. Coil Voltage 线圈规格 (VDC): DC6V, DC9V, DC12V, DC24V	4. Contact form: A-1Form A, B-1Form B, C-1Form C, 2A-2Form A 触点形式: A-1组常开, B-1组常闭 C-1组转换, 2A-2组常开 5. Rated Power: L-0.36W, No-0.6W, D-0.8W 额定功率: L-0.36W, 无-0.6W, D-0.8W 6. Customer Special Code :XXX- Customer Special Requirements No - Standard Type 客户特性号: XXX-客户特殊要求, 无-标准型

**OUTLINE DIMENSIONS (UNIT:mm) 外形尺寸 (单位: mm)**





**TYPICAL USE 典型用途**

- Car door lock motor control, Home appliances, Office equipment, Automatic burglar alarm and so on.
- 汽车门锁马达控制, 家电, 办公设备, 自动防盗报警器等。

**PERFORMANCE CHART 性能曲线图**

