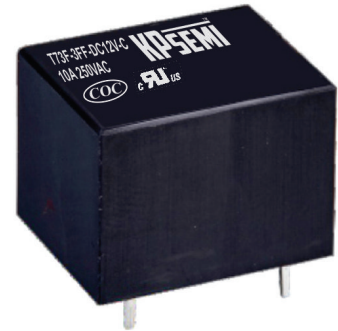


## Power Relay Series 功率继电器系列 -T73-3FF

### FEATURES特点

- Up to 15A contact switching capability  
高达15A触点切换能力
- 1 Form A and 1 Form C configurations  
具有一组常开、一组转换触点形式
- Sockets available  
配有多种插座可供选择
- Overall dimensions (19.6X15.4X15.5) mm.  
外形尺寸 (19.0X15.4X15.5) mm。



### CONTACT PARAMETERS触点参数

|                                   |   |
|-----------------------------------|---|
| Contact Form触点形式                  | A-1组常开 B-1组常闭 C-1组转换  |
| Rating Load (Resistive) 额定负载 (阻性) | A型: 10A 250VAC 15A 125VAC C型: NO: 10A 250VAC<br>NC: 7A 250VAC |
| Max. Switching Current 最大切换电流     | 15A   |
| Max. Switching Voltage 最大切换电压     | 277VAC/28VDC  |
| Max. Switching Power 最大切换功率       | 2770VA/280W   |

### CHARACTERISTICS性能参数

|                                 |  |                                  |
|---------------------------------|--|----------------------------------|
| Contact Materials触点材料           | Ag Alloy银合金  |                                  |
| Contact Resistance接触电阻          | 100mΩ Max  |                                  |
| Operate Time吸合时间                | 10ms. Max  |                                  |
| Release Time释放时间                | 5ms. Max   |                                  |
| Insulation Resistance绝缘电阻       | 100MΩ Min.(DC500V)                                   |                                  |
| Initial Dielectric Strength介质耐压 | between open contacts:<br>触点与触点间:                    | AC 750V,50/60Hz 1Min             |
|                                 | between contacts and coil:<br>触点与线圈间:                | AC1,500V,50/60Hz 1Min            |
| Vibration Resistance抗振动         | Damage limits:<br>耐久:                                | 10~55Hz Double Amplitude双振幅1.5mm |
|                                 | Malfunction:<br>误动作:                                 | 10~55Hz Double Amplitude双振幅1.5mm |
| Shock Resistance抗冲击             | Damage limits:<br>耐久:                                | 100G Min                         |
|                                 | Malfunction:<br>误动作:                                 | 10G Min                          |
| Life寿命                          | Mechanical Life (10800 per hour)<br>机械寿命 (每小时10800次) | 1×10 <sup>7</sup>                |
|                                 | Electrical Life (1800 per hour)<br>电气寿命 (每小时1800次)   | 1×10 <sup>5</sup>                |
| Ambient Temperature环境温度         | -40°C ~ +105°C (No condensation) (不冷凝)               |                                  |
| Unit Weight单位重量                 | 约Approx.10.0g  |                                  |

**COIL RATINGS (at23°C) 线圈参数 (在23°C)**

| Coil Nominal Voltage<br>额定电压 (VDC) | Nominal Current<br>额定电流 ±10%(mA) | Coil Resistance<br>线圈电阻 ±10% (Ω) | Max. Continuous Voltage<br>最大连续外加电压        | Pick-Up Voltage<br>吸合电压 (Max)            | Drop-Out Voltage<br>释放电压 (Min)           | Rated power<br>额定功率    |
|------------------------------------|----------------------------------|----------------------------------|--|--|--|------------------------|
| 3                                  | 120.00                           | 25                               | Coil Nominal Voltage<br>130%<br>额定电压的 130% | Coil Nominal Voltage<br>75%<br>额定电压的 75% | Coil Nominal Voltage<br>10%<br>额定电压的 10% | About 0.36 W<br>约0.36W |
| 5                                  | 71.42                            | 70                               |  |  |  |                        |
| 6                                  | 60.00                            | 100                              |  |  |  |                        |
| 9                                  | 40.00                            | 225                              |  |  |  |                        |
| 12                                 | 30.00                            | 400                              |  |  |  |                        |
| 15                                 | 24.00                            | 625                              |  |  |  |                        |
| 18                                 | 20.00                            | 900                              |  |  |  |                        |
| 24                                 | 15.00                            | 1,600                            |  |  |  |                        |
| 48                                 | 7.50                             | 6,400                            |  |  |  |                        |
| 3                                  | 120.00                           | 25                               |  |  |  |                        |
| 5                                  | 71.42                            | 70                               |  |  |  |                        |
| 6                                  | 60.00                            | 100                              |  |  |  |                        |
| 9                                  | 40.00                            | 225                              |  |  |  |                        |
| 12                                 | 30.00                            | 400                              |  |  |  |                        |
| 15                                 | 24.00                            | 625                              |  |  |  |                        |
| 18                                 | 20.00                            | 900                              |  |  |  |                        |
| 24                                 | 15.00                            | 1,600                            |  |  |  |                        |
| 48                                 | 7.50                             | 6,400                            |  |  |  |                        |

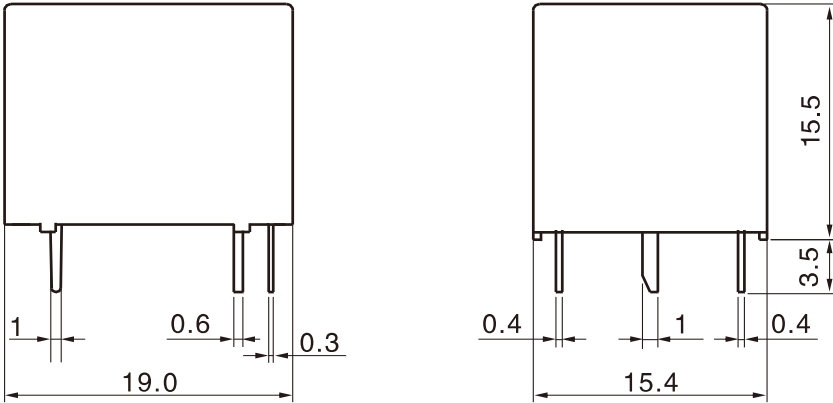
**ORDERING INFORMATION 订货标记**

| T73-3FF-S-DC12V-A-D-(XXX)<br>1 2 3 4 5 6   |  |
|--|--|
| 1. Model Number 基本型号 T73-3FF<br>2. Encapsulation form: S-Plastic Sealed SH:Fluk proofed<br>封装形式: S-塑封型 SH-防焊剂型 | 4. Contact form: A-1Form A, B-1Form B, C-1Form C<br>触点形式: A-1组常开 B-1组常闭 C-1组转换                                 |
| 3. Coil Voltage 线圈规格 (VDC):<br>DC3V, DC5V, DC6V, DC9V, DC12V, DC15V, DC18V,<br>DC24V, DC48V                    | 5. Coil Power: No - 0.36 W, D-0.45W<br>线圈功率: 无-0.36W, D-0.45W  |
|  | 6. Customer Special Code :XXX- Customer Special Requirements<br>No - Standard Type<br>客户特性号: XXX-客户特殊要求, 无-标准型 |

**SAFETY STANDARD安规认证**

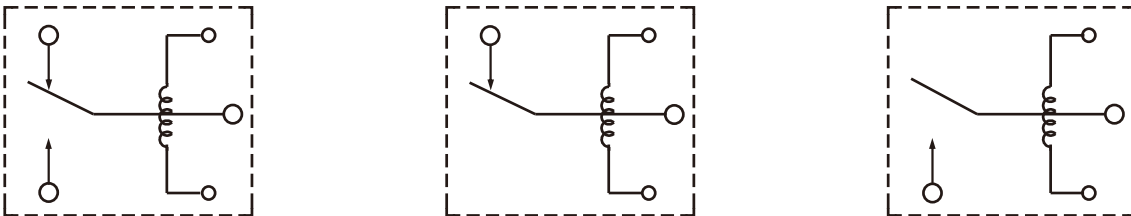
| AuthType Basic认证类别       | CQC        | TUV        | UL/C__UL   |
|--------------------------|------------|------------|------------|
| Authentication Load 认证负载 | 10A 250VAC | 10A 250VAC | 15A 125VAC |

**OUTLINE DIMENSIONS (UNIT:mm)外形尺寸 (单位: mm)**

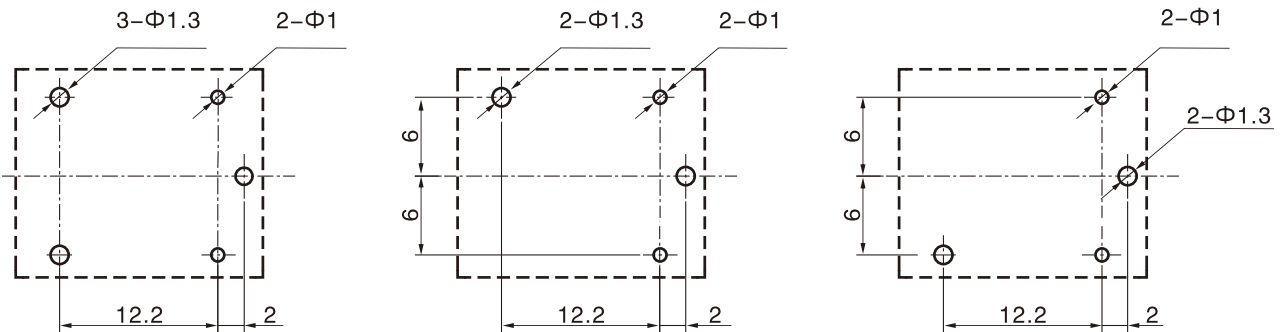


Undimensioned tolerance: <1mm: ±0.2mm 1~5mm: ±0.3mm >5mm: ±0.4mm  
 未标注尺寸公差: <1mm: ±0.2mm 1~5mm: ±0.3mm >5mm: ±0.4mm

Note: 1. The size of the lead foot is pre welding dimension. 注: 1、引出脚尺寸为预焊前尺寸  
 2. installation hole size tolerance: +0.1mm 2、安装孔尺寸公差: ±0.1mm



Wiring diagram (bottom view)  
接线图 (底视图)



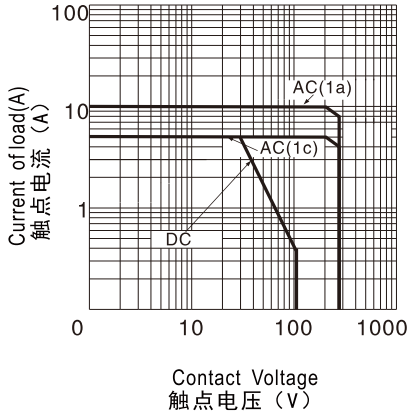
Mounting hole size (bottom view)  
安装孔尺寸 (底视图)

**TYPICAL USE典型用途**

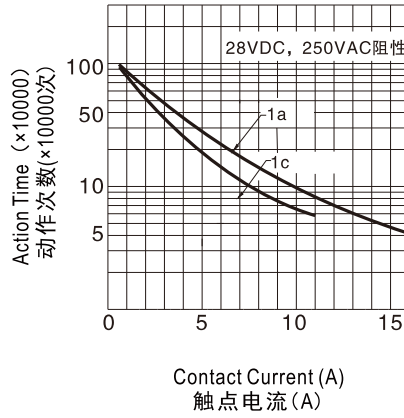
- 家用电器: 空调、电热器等 Vending Machines
- 办公室设备: 电脑、传真机等 Office equipment: Computer, Fax, Etc..
- 智能家居产品 Smart Home Products

**PERFORMANCE CHART性能曲线图**

Max. operating power  
最大切换功率



Life Curve  
寿命曲线



Coil temperature rise  
线圈温升

